

# Mazzer Kony



**JOYRIDE COFFEE**

# Mazzer Kony

## Features:

Adjustment: Stepless micrometrical grinding offers easy, precise grind and dose adjustment  
Direct Dispense: Coffee grinds directly into portafilter, avoiding mess and loose grinds  
Burrs: Hand-tooled in Italy for quality grinds of varying coarseness  
Availability: Manual and automatic models available

## Capacity:

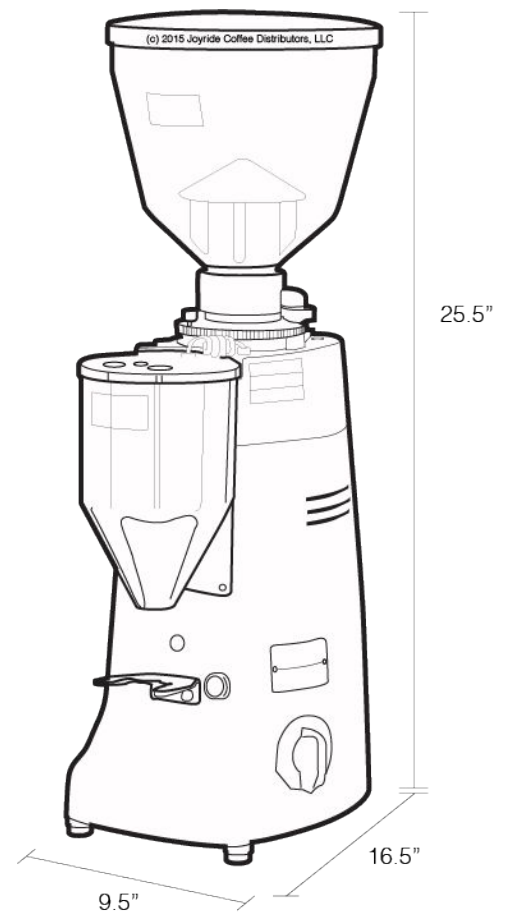
2.9 lb Hopper Capacity

## Dimensions:

Height: 25.5"  
Width: 9.5"  
Depth: 16.5"

## Electrical Configuration:

Voltage: 120 VAC  
Max. Amp Draw: 3.2 A  
NEMA Connection: 5-15



**JOYRIDE COFFEE**