

# FETCO 2132

(1 gal)



**JOYRIDE COFFEE**

# FETCO 2132

(1 gal)

## Features:

Cascading Spray Dome: Water flows over the outer surface of the dome, pulse brews & blooms coffee  
Temperature Control: Adjusts from 170 °F–206 °F allowing us to program at 200 °F for optimal extraction

Tea: Separate hot water spout and dedicated line  
Airpots: Two, 1-gallon airpots, keep coffee hot for hours

## Capacity:

2 x 1 gal (3.8 L) per brew  
32, 8 oz cups per brew  
Up to 224, 8 oz cups per hour

## Dimensions:

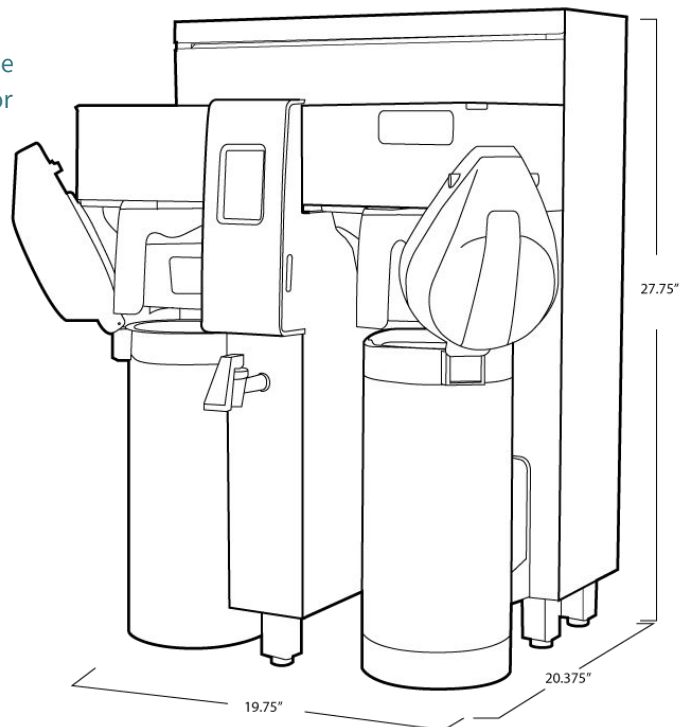
Height: 27.75"  
Width: 19.75"  
Depth: 20.375"

## Electrical Configuration:

Voltage: 208-240 VAC  
Max. Amp Draw: 25.5 A  
NEMA Connection: L6-30

## Plumbing:

Water Pressure: 20-75 psig  
Min. Flow Rate: 1.5 gal/min  
Connection: ¼" or ⅜" flare



**JOYRIDE COFFEE**