

FETCO 2131

(3 L)



JOYRIDE COFFEE

FETCO 2131

(3 L)

Features:

Cascading Spray Dome: Water flows over the outer surface of the dome, pulse brews & blooms coffee
Temperature Control: Adjusts from 170 °F–206 °F allowing us to program at 200 °F for optimal extraction
Tea: Separate hot water spout and dedicated line
Airpots: Two, 3-liter airpots, keep coffee hot for hours

Capacity:

3 L per brew
14, 8 oz cups per brew
Up to 123, 8 oz cups per hour

Dimensions:

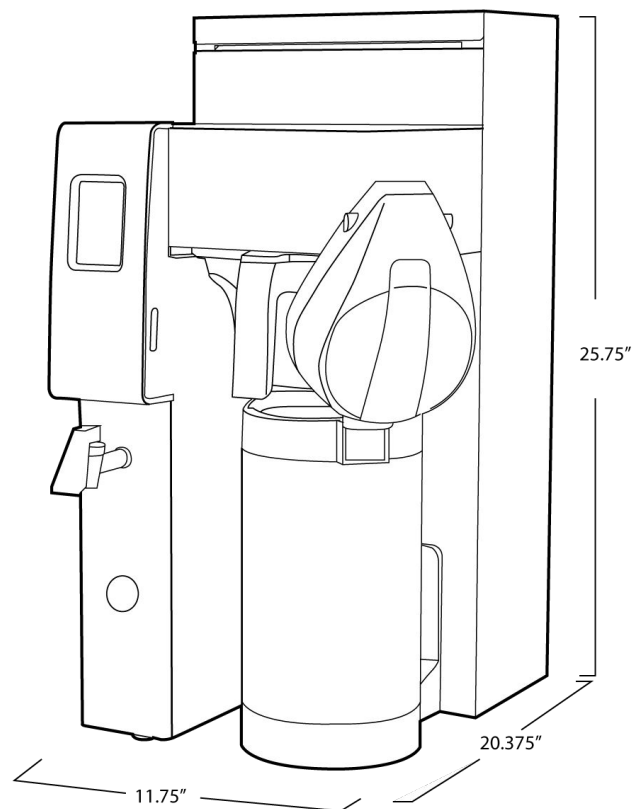
Height: 25.75"
Width: 11.75"
Depth: 20.375"

Electrical Configuration:

Voltage: 100-120 VAC
Max. Amp Draw: 14.7 A
NEMA Connection: 5-15 or 5-20

Plumbing:

Water Pressure: 20-75 psig
Min. Flow Rate: 1.5 gal/min
Connection: ¼" or ⅜" flare



JOYRIDE COFFEE