

Curtis TLP12A



JOYRIDE COFFEE

Curtis TLP12A

Features:

AFS Sprayhead: Perfectly saturates grounds to extract rich, full flavor from coffee

Temperature Control: Adjusts from 170 °F–206 °F for optimal extraction

Tea: Separate hot water spout and dedicated line

Airpots: Two, 2.5-liter airpots keep coffee hot for hours

Capacity:

2.5 L per brew

11, 8 oz cups per brew

Up to 72, 8 oz cups per hour

Dimensions:

Height: 17.75"

Width: 9.13"

Depth: 17.63"

Electrical Configuration:

Voltage: 120 VAC

Max. Amp Draw: 12.5 A

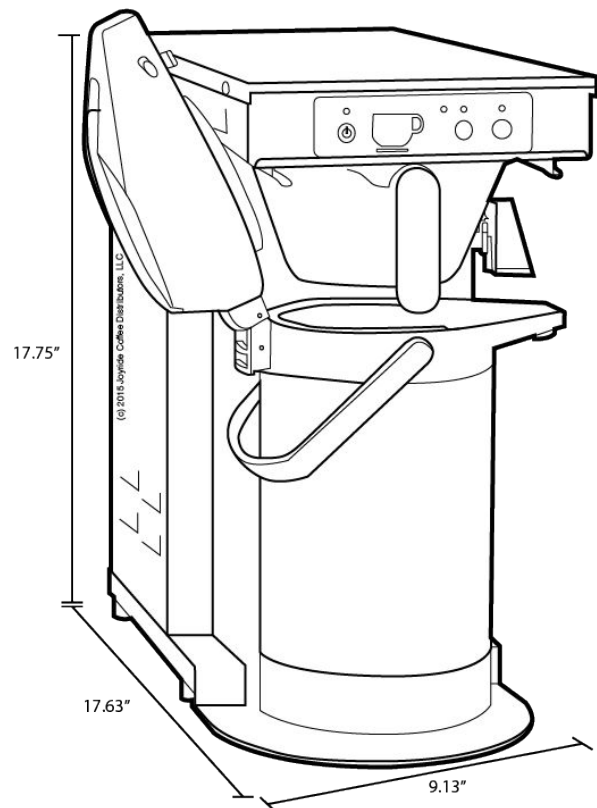
NEMA Connection: 5-15

Plumbing:

Water Pressure: 20-100 psig

Min. Flow Rate: 1 gal/min

Connection: ¼" male flare



JOYRIDE COFFEE